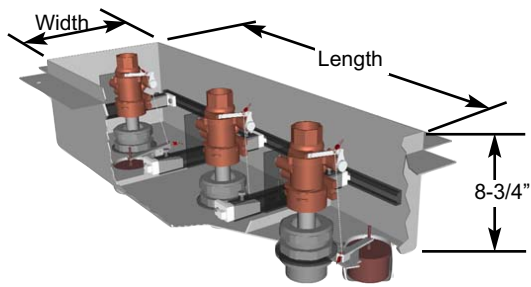


# Product Dimension Reference



## B-2000

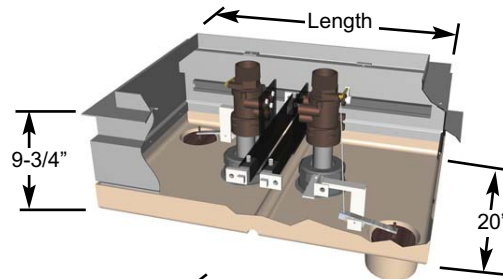
**Material Specification:** 12 Gage Steel

**Length:**  
Exact Dispenser Pit Length

**Width:**  
Exact Dispenser Pit Width

**Depth:** 8-3/4"

\* Consult Factory for exact dimension



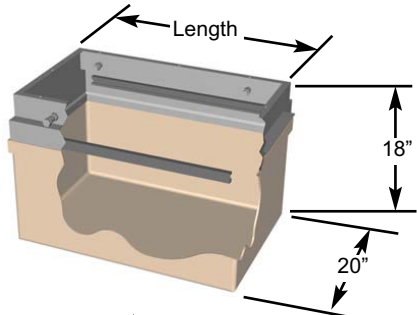
## B-3000

**Material Specification:** Fiberglass

**Length:**  
Large 42"  
Medium 30"  
Small 25-1/2"

**Width:** 20"

**Depth:** 9-3/4" or Custom



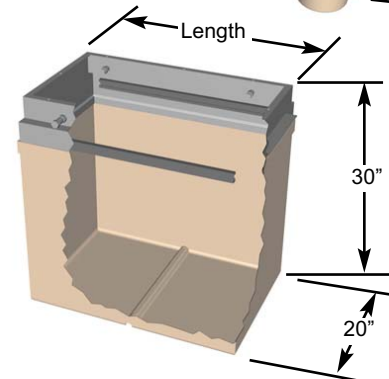
## B-4000

**Material Specification:** Fiberglass

**Length:**  
Large 42"  
Medium 30"  
Small 25-1/2"

**Width:** 20"

**Depth:** 18" or Custom



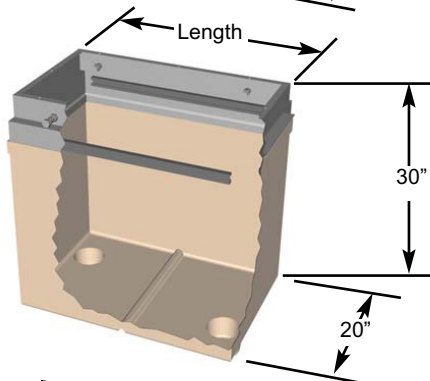
## B-8000-B

**Material Specification:** Fiberglass

**Length:**  
Large 42"  
Medium 30"  
Small 25-1/2"

**Width:** 20"

**Depth:** 30" up to 48"  
or Custom



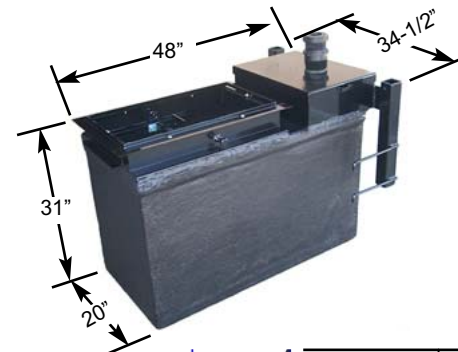
## B-8000

**Material Specifications:** Fiberglass and Cross Link Poly

**Length:**  
Large 42"  
Medium 30"  
Small 25-1/2"

**Width:** 20"

**Depth:** 30" up to 48"  
or Custom



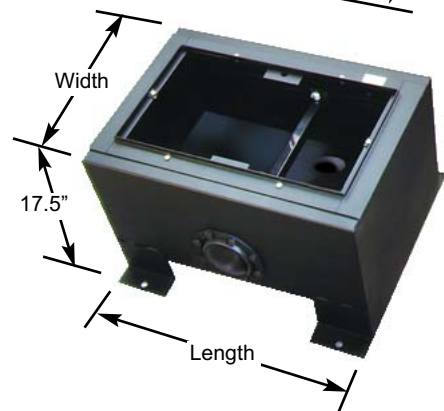
## B-8500

**Material Specification:** Fiberglass

**Length:**  
Large 48"

**Width:** 34-1/2"

**Depth:** 31" up to 48"  
or Custom



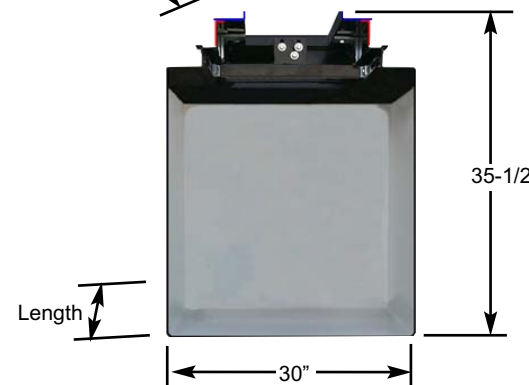
## B-8000-B

**Material Specification:** Fiberglass

**Length x Width**

Large 48"L x 24" W  
Medium 36"L x 22" W  
Small 29"L x 20" W

**Depth:** 17-1/2" or Custom



## B-9000

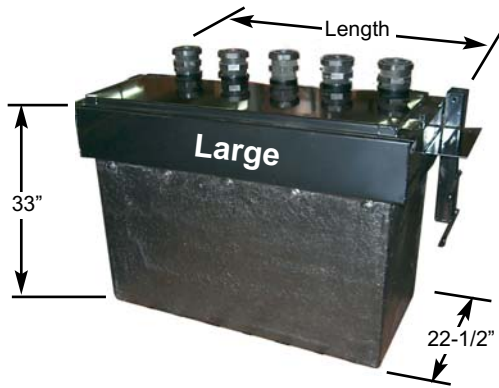
**Material Specifications:** Fiberglass

**Length:**  
Large 42"  
Medium 30"  
Small 25-1/2"

**Width:** 30"

**Depth:** 35-1/2" up to 48"  
or Custom

# Product Dimensions and Fluid Volume

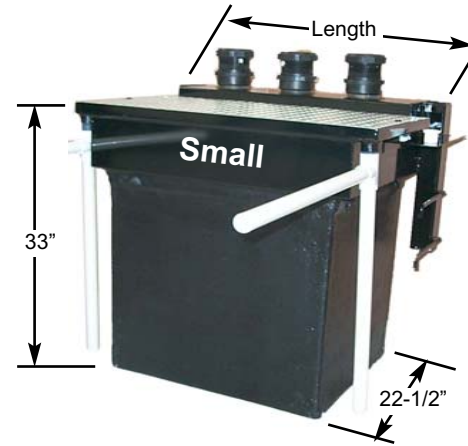


**B-500  
(Planter)**

**Material Specification:** Fiberglass

- Length:**  
 Large 55"  
 Small 38-1/2"
- Width:** 22-1/2"
- Depth:** 33" up to 48"  
 or Custom

NOTE: Large Size B500 5-Vent Shown



**B-600  
(Walkover/Grade Level)**

**Material Specification:** Fiberglass

- Length:**  
 Large 55"  
 Small 38-1/2"
- Width:** 22-1/2"
- Depth:** 33" up to 48"  
 or Custom

NOTE: Small Size B600 3-Vent Shown

## BRAVO DOUBLEWALL VOLUMES

Series	Size	Type/Description	Max psi	Max Vac	Max Cont. Vac	Fluid Provided	Volume
B400/402*	48" Dia	4 foot overall - 32" or 36" Reducer	4 psi	20"Hg	16"Hg	5 Gal	4 Gal
B400/402*	48" Dia	5 foot overall - 32" or 36" Reducer	4 psi	20"Hg	16"Hg	6 Gal	5 Gal
B400/402*	48" Dia	6 foot overall - 32" or 36" Reducer	4 psi	20"Hg	16"Hg	7 Gal	6 Gal
B400/402*	48" Dia	7 foot overall - 32" or 36" Reducer	4 psi	20"Hg	16"Hg	8 Gal	7 Gal
B400/402*	48" Dia	8 foot overall - 32" or 36" Reducer	4 psi	20"Hg	16"Hg	9 Gal	8 Gal
B400/402*	42" Dia	4 foot overall - 32" Reducer	4 psi	20"Hg	16"Hg	5 Gal	3 3/4 Gal
B400/402*	42" Dia	5 foot overall - 32" Reducer	4 psi	20"Hg	16"Hg	6 Gal	4 3/4 Gal
B400/402*	42" Dia	6 foot overall - 32" Reducer	4 psi	20"Hg	16"Hg	7 Gal	5 3/4 Gal
B400/402*	42" Dia	7 foot overall - 32" Reducer	4 psi	20"Hg	16"Hg	8 Gal	6 3/4 Gal
B400/402*	42" Dia	8 foot overall - 32" Reducer	4 psi	20"Hg	16"Hg	9 Gal	7 3/4 Gal
B500/600	Large	Vent Transition	2 psi	20"Hg	16"Hg	2 Gal	1 1/2 Gal
B500/600	Small	Vent Transition	2 psi	20"Hg	16"Hg	2 Gal	7/8 Gal
B8000	Large	UDC	2 psi	20"Hg	16"Hg	2 Gal	1 1/2 Gal
B8000	Medium	UDC	2 psi	20"Hg	16"Hg	2 Gal	1 1/8 Gal
B8000	Small	UDC	2 psi	20"Hg	16"Hg	2 Gal	7/8 Gal
B9000	Large	UDC	2 psi	20"Hg	16"Hg	3 Gal	2 1/2 Gal
B9000	Medium	UDC	2 psi	20"Hg	16"Hg	3 Gal	2 Gal
B9000	Small	UDC	2 psi	20"Hg	16"Hg	2 Gal	1 3/4 Gal